

DIAPHRAGM SENSING PRESSURE REDUCING VALVE P 20D DN 1/4" – 3/8"

DESCRIPTION

The ADCA P20D series **direct acting, spring-loaded diaphragm sensing, balanced valve** pressure reducing valves, are designed for use on compressed air, water and other gases or liquids compatible with the materials of construction .

They are suitable for pressure reducing stations where small loads are involved. They are also specifically recommended to operate as pilot valves in combination with other pressure regulators.

MAIN FEATURES

Compact design.
 Balanced valve.
 Machined from barstock materials or investment casting.
 Ultrasonically cleaned and degreased



OPTIONS: Different soft valves for water and gases.
 Outlet 1/4" gauge connection on body.
 Regulating screw with top cap.
 Connection for external sensing line
 Piston sensing design

USE: Compressed air, water and other gases and liquids compatible with the construction.

AVAILABLE MODELS: P20D – Stainless steel diaphragm sensing
 P20P – St.Steel piston sensing (on request)

SIZES: DN 1/4" and DN 3/8"

CONNECTIONS: Female screwed ISO7/1Rp(BS 21) or NPT.

INSTALLATION: Horizontal or vertical installation.
 A strainer should be provided upstream the valve.
 See IMI, installation and maintenance instructions.

ORDER REQUIREMENTS : Type of fluid
 Maximum operating temperature
 Inlet pressure and required outlet pressure
 Capacity (maximum and minimum).

CAPACITIES		
Valve Size	1/4"	3/8"
KVs (m3/h)	1,2	1,8

LIMITING CONDITIONS	
Valve model	P20D
Body design conditions	PN 63
Max.upstream pressure	50 bar
Max.downstream pressure	15 bar
Min.downstream pressure	0,2 bar
Max.design temperature *	80 °C
Max.recommended reducing ratio	40:1

*Other on request.

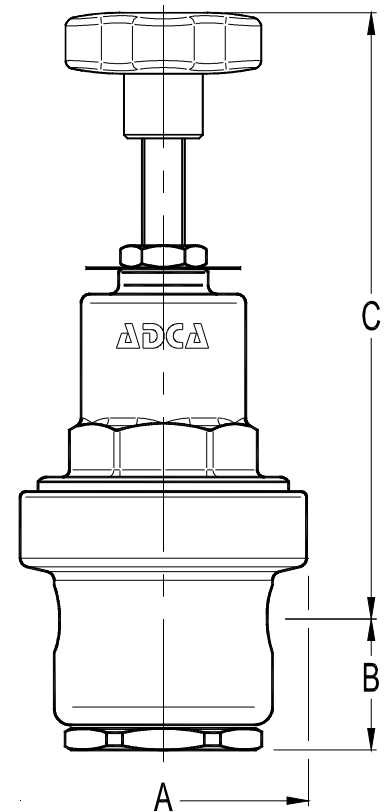
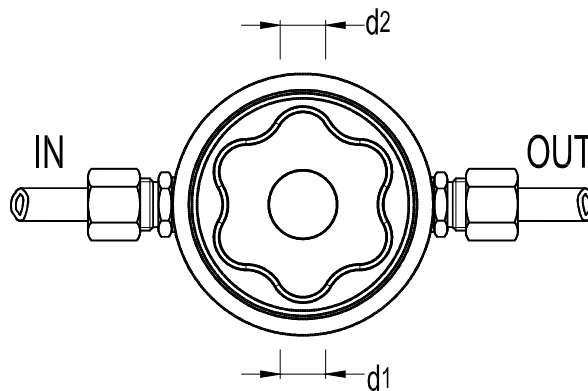
CE MARKING (PED - European Directive 97/23/EC)	
PN 16-PN63	Category
DN 08 to 10	SEP - art. 3, paragraph3



DIMENSIONS (mm)						
Screwed						
SIZE DN	A	B	C	d1*	d2*	WGT. Kgs
1/4"	80	40	175	1/4"	1/4"	1,8
3/8"	80	40	175	1/4"	1/4"	1,8

* Optional

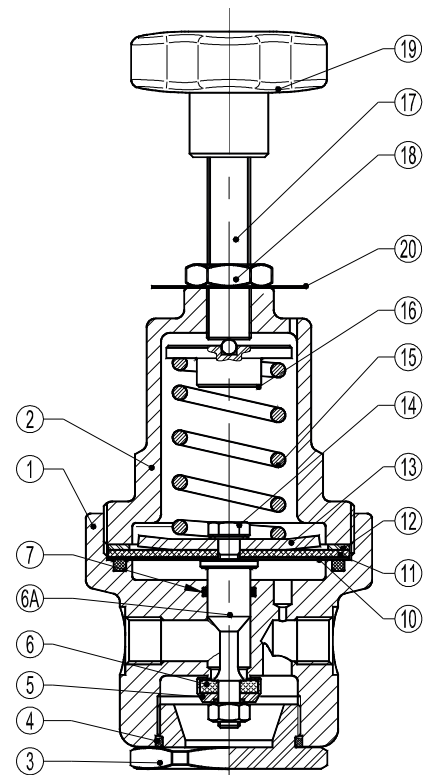
d1 and d2 can be used both as pressure gauge connection or external sensing line connection.



MATERIALS		
POS.	DESIGNATION	MATERIAL
1	VALVE BODY	AISI316 / 1.4401 ; CF8M / 1.4408
2	TOP COVER	AISI316 / 1.4401 ; CF8M / 1.4408
3	SEAT COVER	AISI316 / 1.4401 ; CF8M / 1.4408
4	* O-RING	NBR
5	* PISTON VALVE	AISI316 / 1.4401
6	* VALVE HEAD	NBR-EPDM-PTFE,etc
6A	PUSHROD	AISI316 / 1.4401
7	* O-RING	NBR-EPDM-PTFE,etc
10	* DIAPHRAGM	PTFE
11	* DIAPHRAGM	**NBR
12	GASKET	**RUBBER
13	SPRING PLATE	AISI304 / 1.4301
14	NUT	ST.STEEL A2-70
15	* ADJUSTMENT SPRING	SPRING STEEL
16	TOP SPRING PLATE	BRASS
17	ADJUSTMENT SCREW	AISI304 / 1.4301
18	LOCKNUT	ST.STEEL A2-70
19	HANDWHEEL	PLASTIC
20	SPRING IDENT. PLATE	ALUMINIUM

* Available spare parts. ** Stainless steel on request .

Remarks: All valves have a serial number. In case of non-standard valves this number must be supplied if spare parts are ordered.



ORDERING CODES P20D										
Valve Model	P20	.	1	W	N	C	R		.A	08
P20D - Diaphragm sensing	P20									
Outlet spring range										
N°1 - 0,2 to 1,5 bar			1							
N°2 - 0,3 to 3 bar			2							
N°3 - 0,8 to 8 bar			3							
N°4 - 1,5 to 15 bar			4							
Application										
Water				W						
Gases				G						
Oxygen (Degreased)				O						
Seal material										
NBR					N					
EPDM					E					
PTFE					T					
FPM/VITON					V					
Maximum inlet pressure										
30 bar							C			
50 bar a)							D			
Diaphragm material										
Stainless steel								S		
Rubber/PTFE								R		
Gauge port 1/4" *										
Without gauge ports									(1)	
Gauge port on the left side (Related to the flow direction)									4	
Gauge port on the right side (Related to the flow direction)									3	
Gauge ports on both sides									2	
Pipe connection										
Threaded BSP ISO 7/1 Rp										A
Threaded NPT ANSI B1.20.1										C
Size										
DN 1/4"										08
DN 3/8"										10
Special valves / Extras b)										E

* Gauge port can also be used as external sensing line.

(1) Omitted if a standard valve is requested

a) The 50 bar inlet available only with spring N°4

b) Full description or additional codes have to be added in case of non-standard combination.