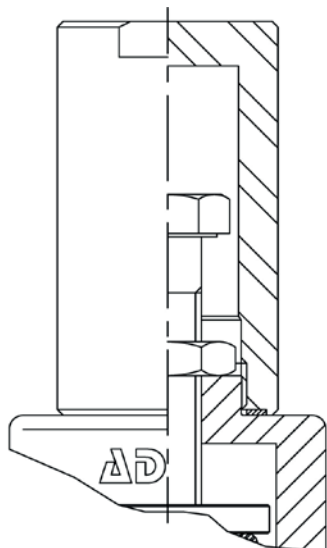
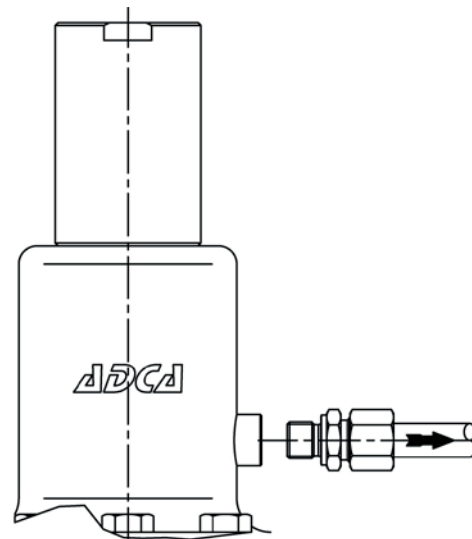


**PRESSURE REDUCING AND PRESSURE SUSTAINING
 VALVE OPTIONS**

Top cap (Tc)
 (Adjusting screw sealing)

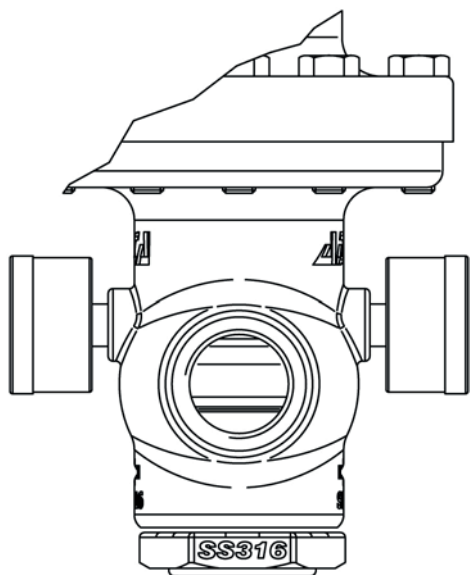


Leakage line connection (Llc)
 (To be piped to a safe place)



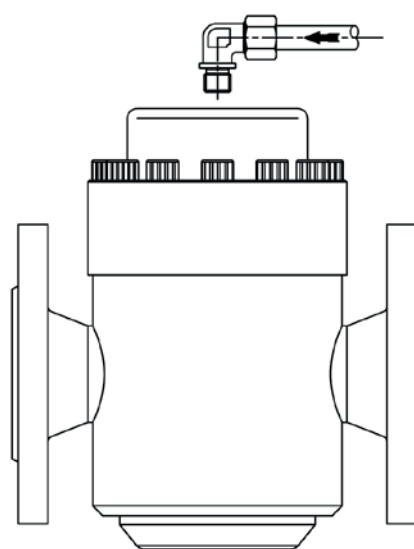
For maximum safety, when handling toxic or hazardous media, to avoid room contamination.
 Recommended in a self-relieving regulator

Pressure gauge connection (Pgc)



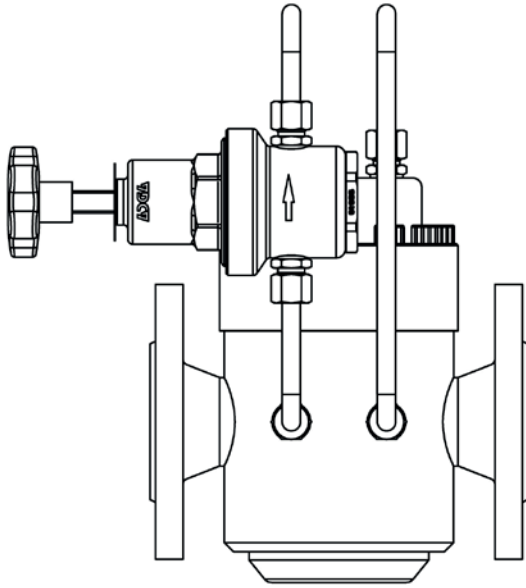
Can be applied in one or both sides

Dome loaded (DI)



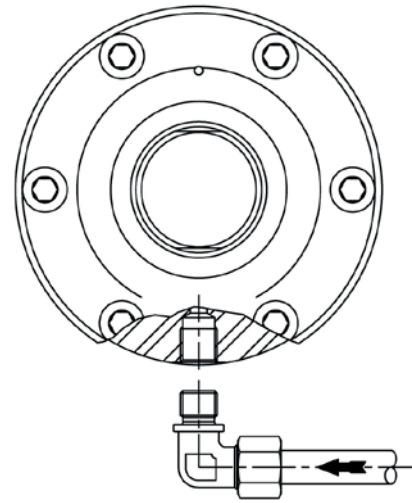
Operated by a smaller self-relieving pressure regulator
 Reduced droop

Pilot operated (Po)



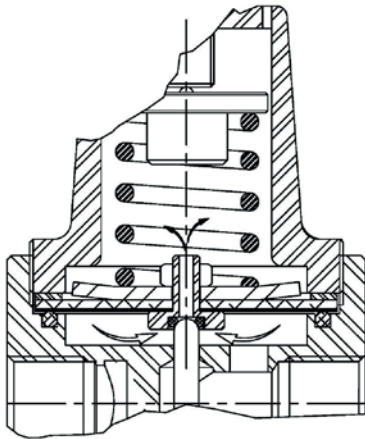
Maximum accuracy, reduced droop

External feedback (Ef)

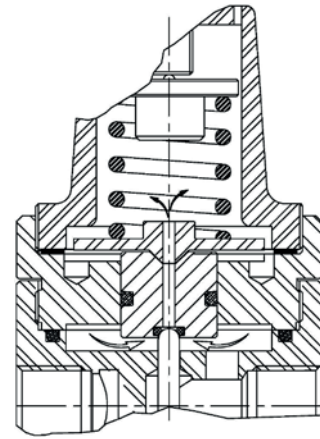


Better performance in case of high differential pressures
 Reduced droop

Self relieving - diaphragm design (Rlv)



Self relieving - piston design (Rlv)



	PRV25 PRW25	P15 PS15	P20	PS4	P7 PS7	PRV300 PS300	PRV30 PS30	PRV31 PS31	PRV41
Tc	NA	A	A	A	A	A	A	A	A
Llc	NA	A	A	A	A	A	A	A	A
Pgc	A 1)	A 2)	A 2)	A 2)	A 2)	A 1)	A 1)	A 1)	A 2)
DI	NA	A	A	A	A	A	A	A	A
Po	NA	A	A	A	NA	A	A	A	A
Ef	A	A	A	S	S	A 3)	A 3)	A 3)	A
Rlv *	NA	NA	NA	NA	NA	A	A	A	A

* Applicable only to pressure regulators

Key: A - Available against extra price ; NA - Not available; S - Standard (no extra price)

1) Pressure gauge (if directly connected): Max. D63

2) Pressure gauge (if directly connected): Max. D40

3) Except for PRV30,31 and 300 DN 1"-25 made from casted material